



Improving your PERFORMANCE

620Du, 620DuN and 620DuS pumps with 620L and 620LG pumpheads

Features and Benefits

- Flow from 0.002 l/min to 12.4 l/min (0.0006 gpm to 3.27 gpm)
- Pressures up to 60 psi with 620LG pumphead
- 2650:1 control ratio (0.1 to 265 rpm speed range)
- User friendly keypad with precise digital speeds in 0.1rpm increments
- Display option of pump speed or calibrated flow rate
- MemoDose for accurate single-shot dispensing
- Tool-lockable track with new switching mechanism for ultimate safety (both sides must be closed for pump to run)
- 6-roller pumphead with offset tracks gives ultra low-pulse flow
- Option to use two channels of continuous tubing
- Rugged, corrosion-free enclosure has no areas for contamination
- Maintenance free closed-loop controlled brushless DC motor
- Value for life supported by 3 year warranty

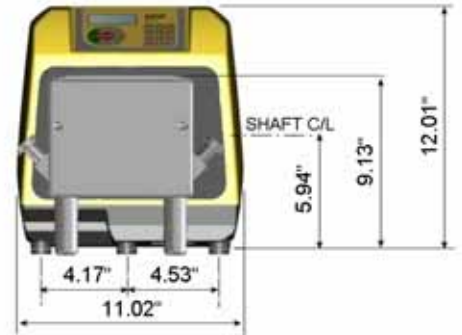
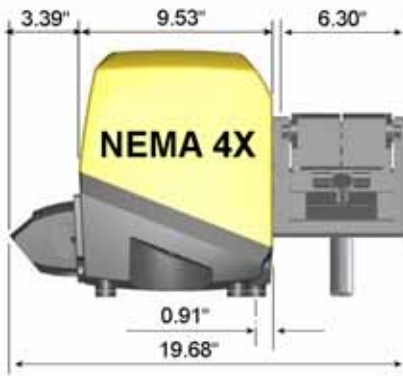


620DuN/L model shown

Functionality	620Du	620DuN	620DuS
Enclosure - ingress protection rating	NEMA 2	NEMA 4X	NEMA 4X
Manual control			
Digital speed control with simple calibration to display flow	•	•	•
Choice of flow rate display; metric or imperial units	•	•	•
Numeric keypad for entry of speed, flow or PIN	•	•	•
Remote control			
Run/stop, direction change, auto/manual mode, MemoDose (via contact closure or 5V TTL to 24V industrial logic unless stated)	•	•	110V AC
Leak detector input (via contact closure or 5V TTL to 24V logic)	•	•	•
Analog speed control			
Software programmable inputs; 0-10V, 1-5V or 4-20mA	•	•	•
Analog outputs; 0-10V (8 bit resolution)	•	•	•
Analog outputs; 0-10V, 4-20mA (high resolution)	•	•	•
Keypad/analog input scaling (replacement of diaphragm pumps)	•	•	•
Tachometer output; 0-1478Hz	•	•	•
Digital communication			
Four programmable digital status outputs; NO/NC (30W)		•	
Four programmable digital status outputs; NO/NC (130VAC, 2A)			110V AC
Digital network control	RS232	RS485	RS485
Security			
Basic security code to protect set-up	•	•	•
Dual operator/supervisor PIN code protection of pump settings	•	•	•

Flow ranges (l/min)*	Y element tubing			Continuous tubing (flow per channel)		
	8.0mm	12.0mm	16.0mm	8.0mm	12.0mm	16.0mm
Tubing material						
Pumpsil® silicone	0.002-4.6	0.003-8.5	0.005-11.5	0.001-2.3	0.002-4.3	0.003-5.8
Marpene, Bioprene	0.002-4.6	0.003-8.5	0.005-11.5	0.001-2.3	0.002-4.3	0.003-5.8
Neoprene	0.002-4.6	0.003-8.5	0.005-12.6	0.001-2.3	0.002-4.3	0.003-6.3
Sta-Pure™, Chem-Sure™ (620LG only)	0.002-5.2	0.003-9.0	0.005-12.4	0.001-2.6	0.002-4.5	0.003-6.2

* 1 liter = 0.264 gallons



Technical specification		
	620Du	620DuN, 620DuS
Ingress rating	NEMA 2	NEMA 4X
Enclosure	Wipedown, vented	Watertight, dustproof
Suitability	Dry industrial environments with non-corrosive atmospheres	Corrosion resistant for heavy industrial environments
Humidity	(Non-condensing) 80% to 88°F(31°C), decreasing linearly to 50% at 104°F(40°C)	(Condensing) 10-100% RH
Temperature	40°F to 104°F (5°C to 40°C)	40°F to 104°F (5°C to 40°C)
Pump weight	53.6 lb	55.6 lb
Control ratio	2650:1	2650:1
Power rating	250 VA	250 VA
Noise	< 70dB(A) at 1m	< 70dB(A) at 1m
Standards	CE, cETL-US (control number 3050250)	CE, cETL-US (control number 3050250)
Power supply	100-120V/200-240V, 1ph, 50/60Hz	100-120V/200-240V, 1ph, 50/60Hz

Materials of construction	
Keypad	Polyester
Switch-plate	ABS PA-765
Rear blanking plate	Stainless steel 316
Drive casework	Pressure die-cast aluminum (top - LM6, base - LM24)
Casework coating	Alocrom pre-treatment, exterior grade polyester powder coat
Drive shaft	Stainless steel 440C
Pumphead track/cradle	Aluminum alloy NS4 anodised
Font/back plates	Aluminum alloy HS30
Pumphead coating	Polyester epoxy powder
Track spindles	Stainless steel 303S31
Rotor body/tube clamps	Aluminum alloy HE30
Rollers/bearings	Stainless steel 316/carbon steel
Y element locators	Stainless steel 303S31

Order information - product codes						
Pumphead only	620L pumphead	620LG pumphead	Accessories			
	063.4603.000	063.4623.000	Footswitch	Handswitch	RS232 Cable	Tube monitor
NEMA 2 wipe-down pumps			NEMA 2	NEMA 2	NEMA 2	NEMA 2
620Du	060.4151.5LA	060.4151.5GA	059.3002.000	059.3022.000	059.3121.000	059.4501.520
NEMA 4X wash-down pumps			NEMA 12			NEMA 4X
620DuN	060.415N.5LA	060.415N.5GA	069.5231.000	n/a	n/a	059.450N.520
620DuS	060.415S.5LA	060.415S.5GA	069.5231.000	n/a	n/a	059.450N.520

Bore size (4.0mm wall thickness)	Y element tubing			Continuous tubing		
	8.0mm	12.0mm	16.0mm	8.0mm	12.0mm	16.0mm
Tubing material						
Pumpsil silicone	913.AE80.K40	913.A12E.K40	913.A16E.040	913.A080.040	913.A120.040	913.A160.040
Marprene	902.E080.K40	902.E120.K40	902.E160.040	902.0080.040	902.0120.040	902.0160.040
Bioprene	903.E080.K40	903.E120.K40	903.E160.040	903.0080.040	903.0120.040	903.0160.040
Neoprene	920.E080.K40	920.E120.K40	920.E160.040	920.0080.040	920.0120.040	920.0160.040
Sta-Pure™ (for 620LG pumphead)	960.E080.K40	960.E120.K40	960.E160.040			
Chem-Sure™ (for 620LG pumphead)	965.E080.K40	965.E120.K40	965.E160.040			
				Clamp set for continuous tube:		069.4001.000

Note: Sta-Pure™ Y elements are rated for 60 psi pressure



All flow rates shown were obtained pumping water at 20C (68F) with zero suction and delivery heads.

Watson-Marlow, Bioprene and Marprene are trademarks of Watson-Marlow Limited.
 Chem-Sure and STA-PURE are registered trademarks of W.L. Gore & Associates Inc.

Disclaimer: The information contained in this document is believed to be correct but Watson-Marlow Limited accepts no liability for any errors it contains, and reserves the right to alter specifications without notice.

Please state the product code when ordering pumps and tubing.



Watson-Marlow Bredel Pumps
 37 Upton Technology Park
 Wilmington, MA 01887

Tel: 800 282 8823
 Fax: 978 658 0041

www.watson-marlow.com
 support@wmbpumps.com

wd-620-du-1-us-02